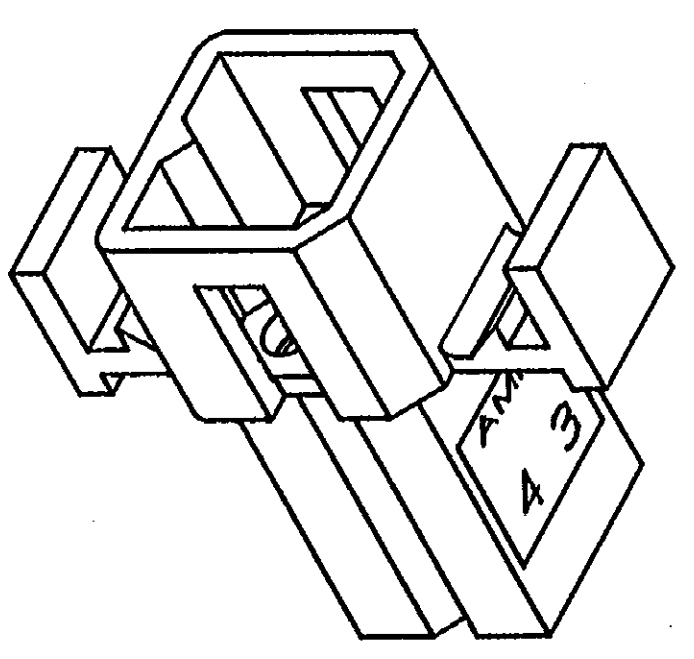
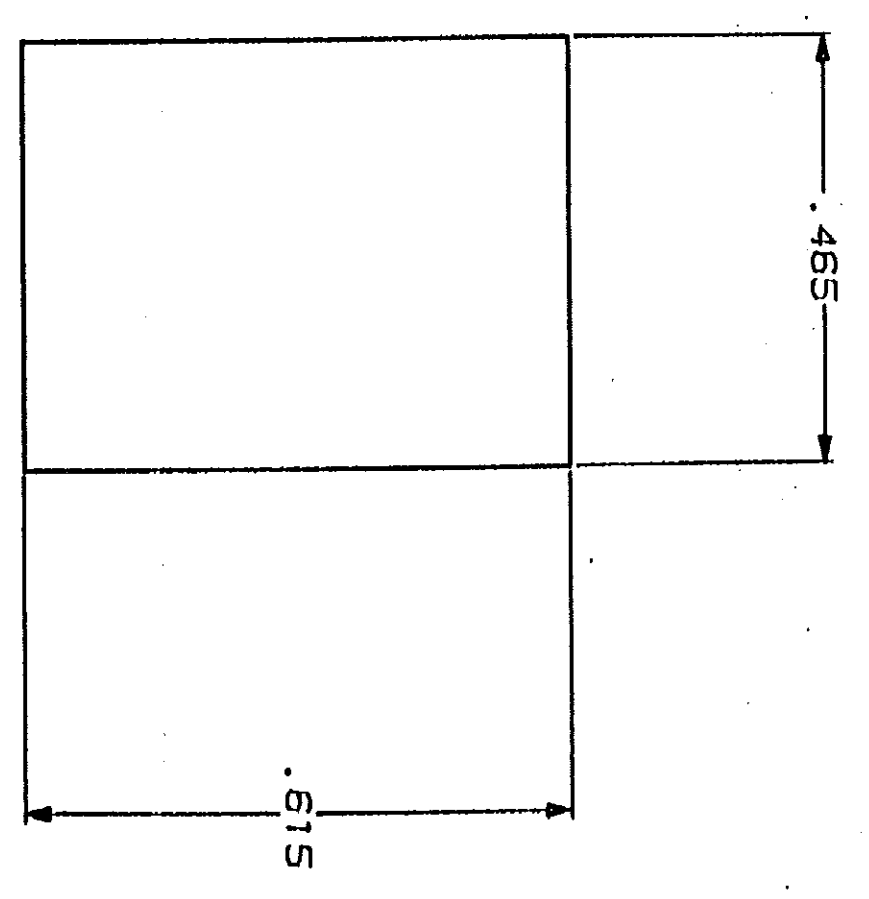
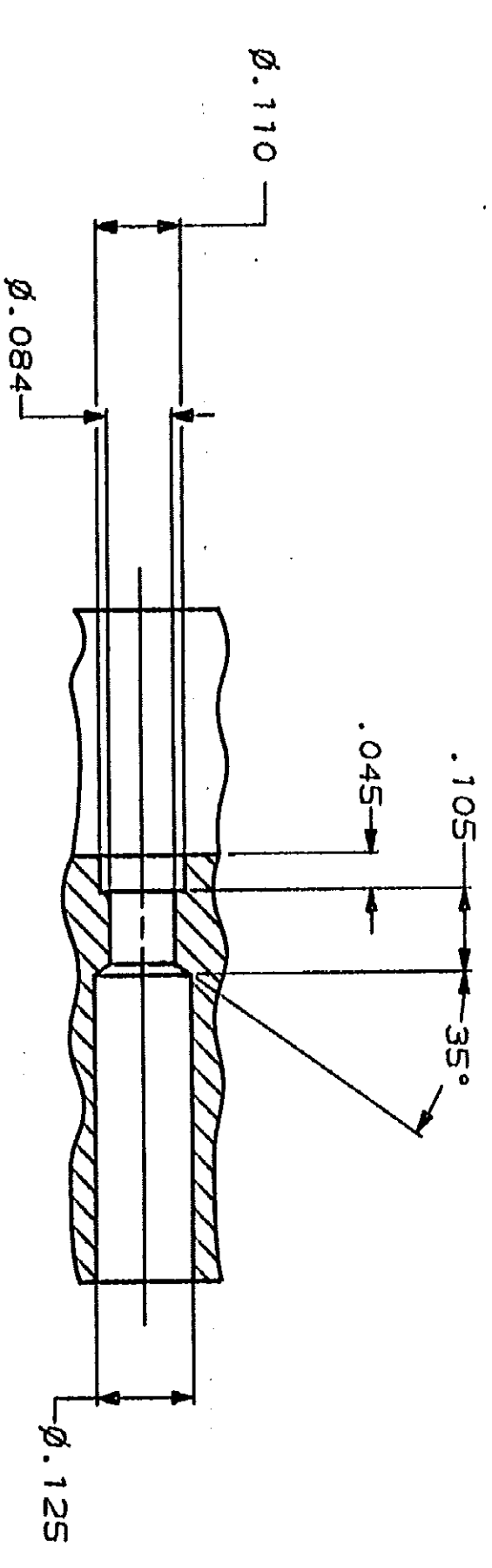
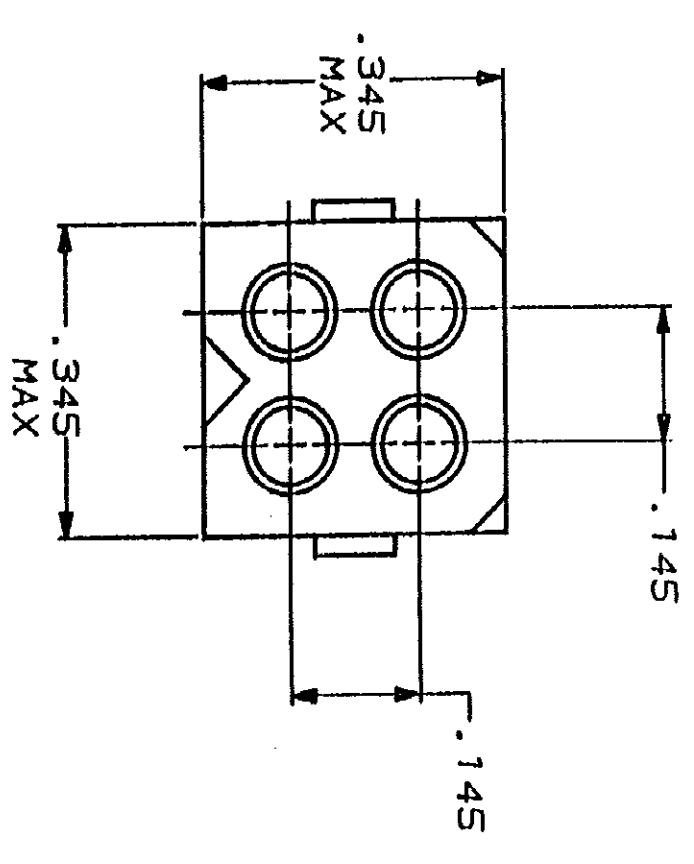
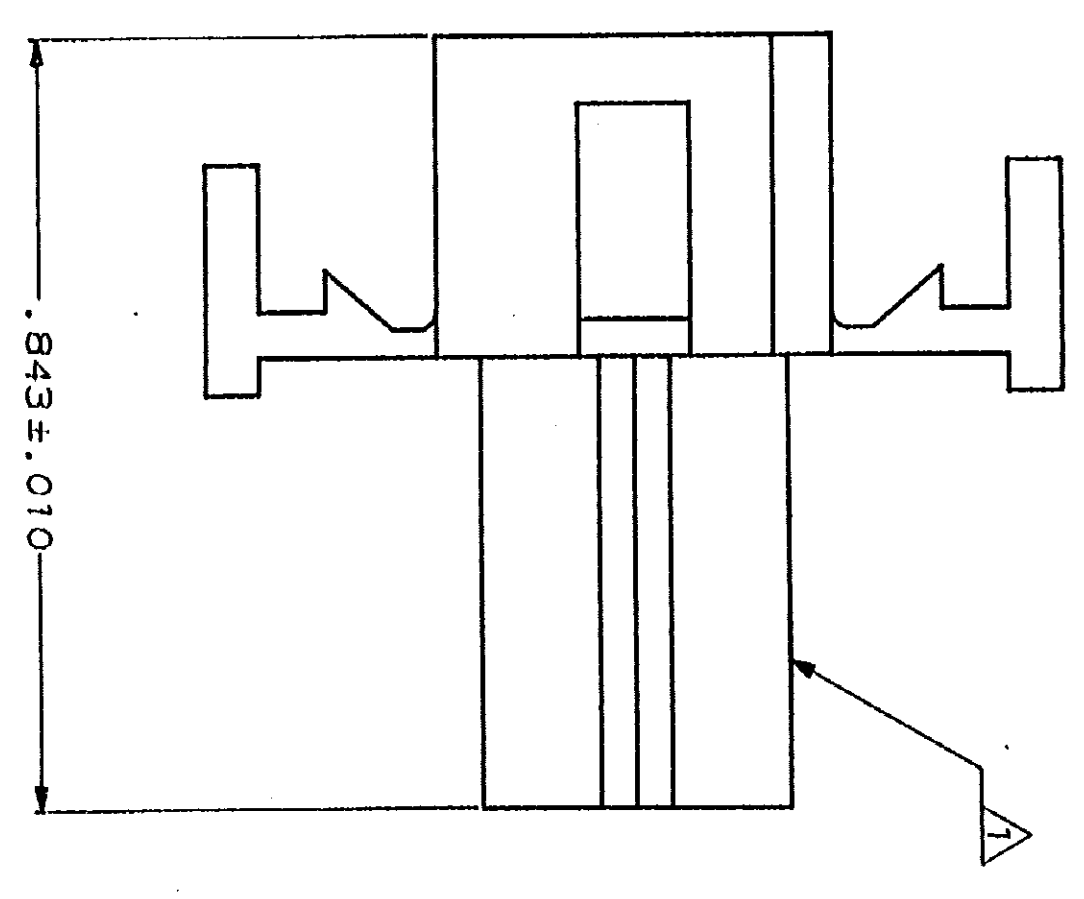
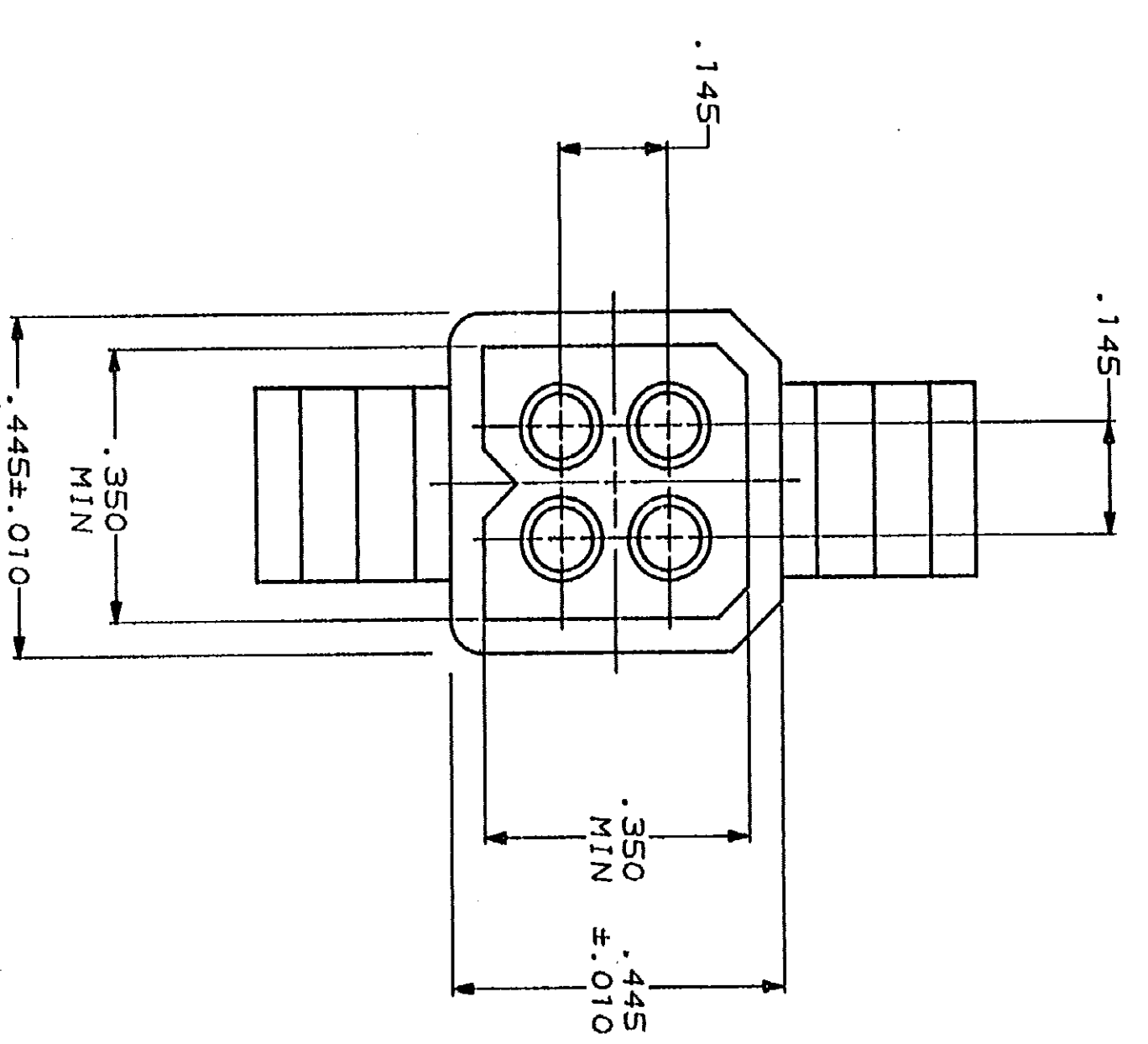
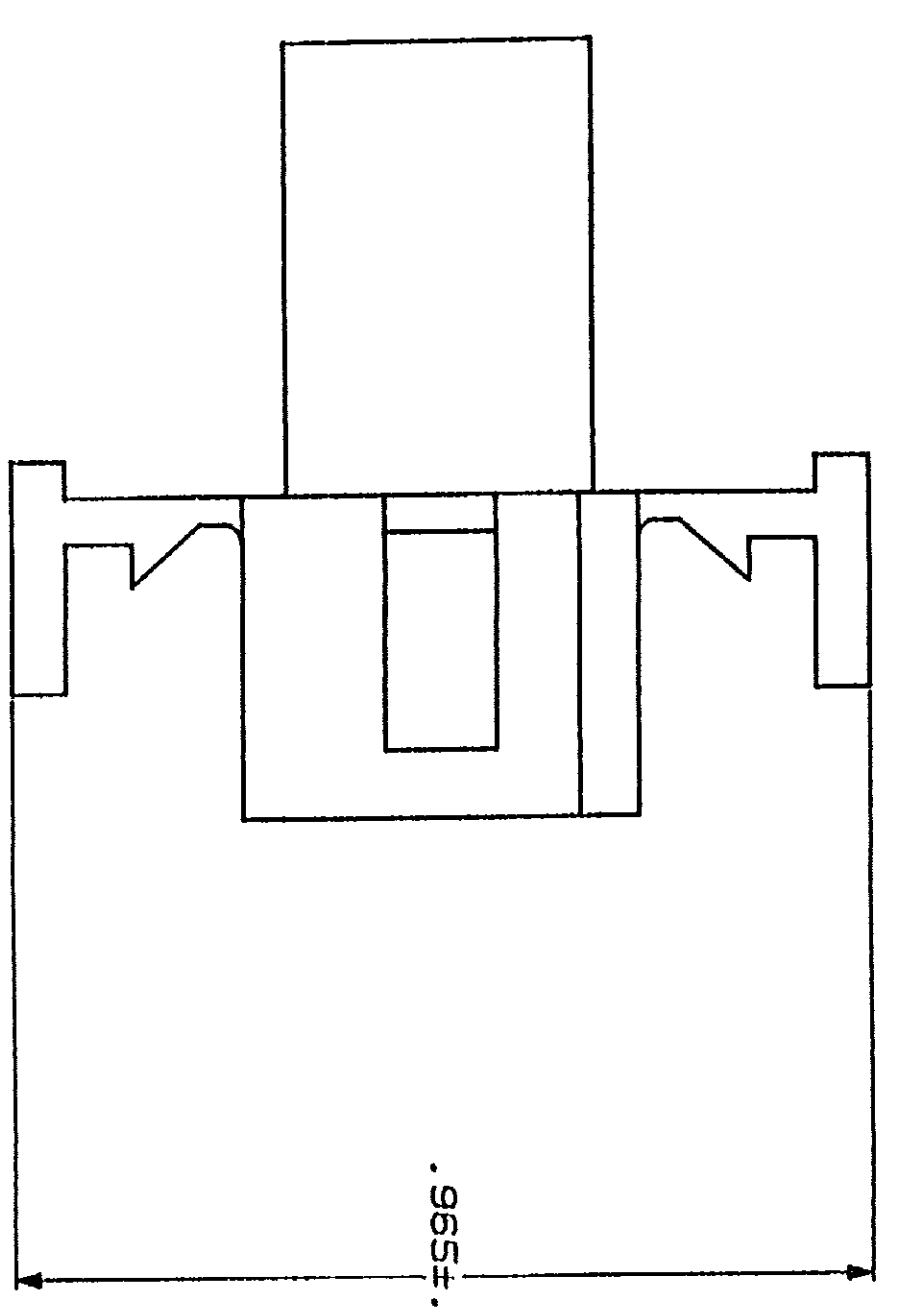


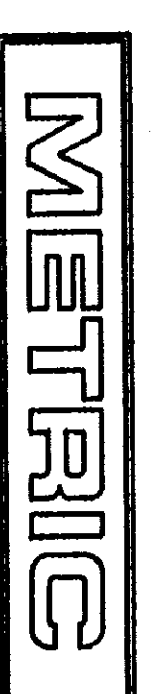
DRAWING MADE IN THIRD ANGLE PROJECTION
 THIS DRAWING IS UNPUBLISHED.
 © COPYRIGHT 1981 BY AMP INCORPORATED. ALL INTERNATIONAL RIGHTS RESERVED.

CM	53	1	1	1
CM	53	1	1	1
CM	53	1	1	1
CM	53	1	1	1



3-DIMENSIONAL MODEL
 NTS

CONVERSION TABLE	
IN	MM
.345	8.76
.145	3.68
.062	1.57
.060	1.52
.020	0.51
.010	0.25
.005	0.13
IN	MM



DO NOT SCALE PRINT. UNLESS SPECIFIED DIMENSIONS IN INCHES TOLERANCES ON 1/16 ANGLES # .005 MATERIAL NYLON, UL94V-2, NATURAL		DR K. WHITAKER 11-2-80	NAME AMP INCORPORATED NORTHAVENUE, PA. 17105
FINISH	APPLICATION SPEC	CHK R. SAUNG 11-2-80	AMP
WEIGHT	SCALE 5:1	APPD R. CARSON 11-2-80	PANEL MOUNT, 4 CIRCUIT, .062 PIN AND SOCKET
SIZE D	FSCH NO 00779	PRODUCT SPEC	770443
SCALE 5:1	DRAWING NO 770443		770443-1
	SHEET 1 OF 1		

CUSTOMER DRAWING